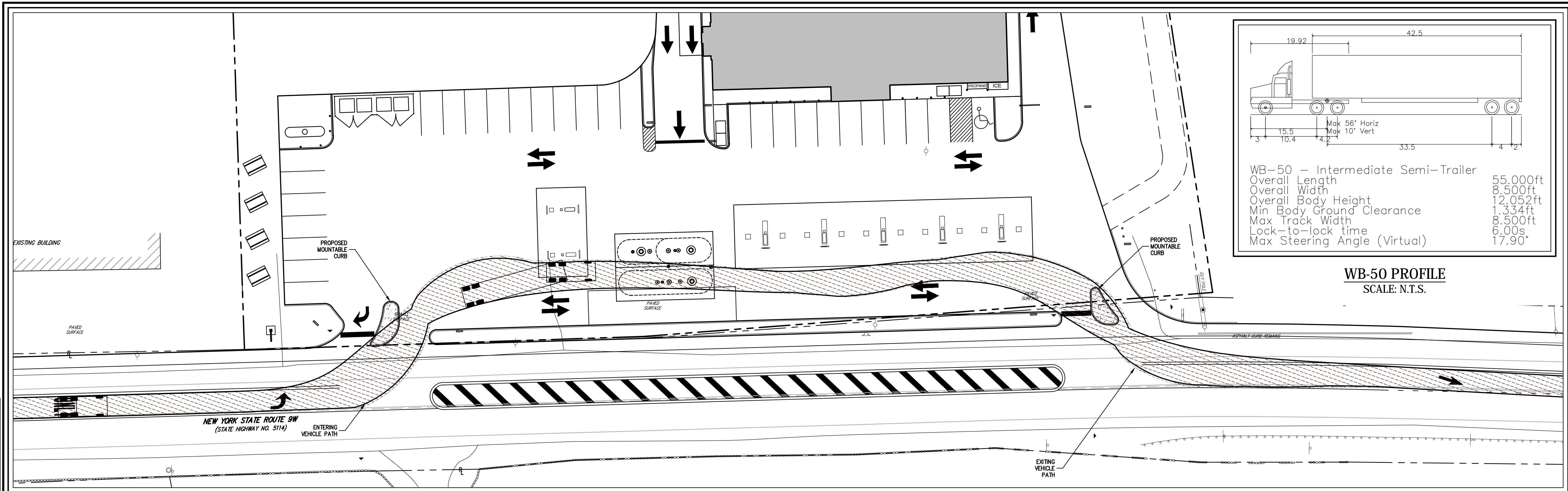
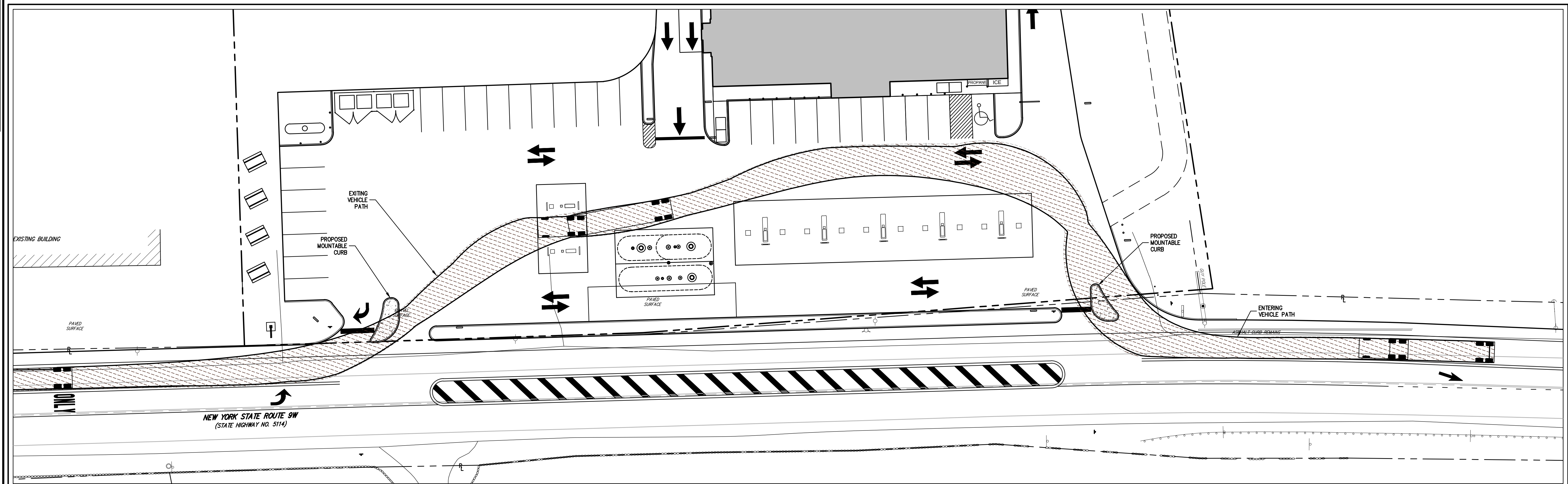


ANY ALTERATION OF PLANS, SPECIFICATIONS, PLATS AND REPORTS BEARING THE SEAL OF A LICENSED PROFESSIONAL ENGINEER OR LICENSED LAND SURVEYOR SHALL BE AT THE SOLE RISK OF THE USER. THE USER SHALL BE RESPONSIBLE FOR OBTAINING ALL NECESSARY PERMITS AND APPROVALS FROM THE APPROPRIATE AGENCIES AND AGENCIES. THE USER SHALL BE RESPONSIBLE FOR OBTAINING ALL NECESSARY PERMITS AND APPROVALS FROM THE APPROPRIATE AGENCIES AND AGENCIES.

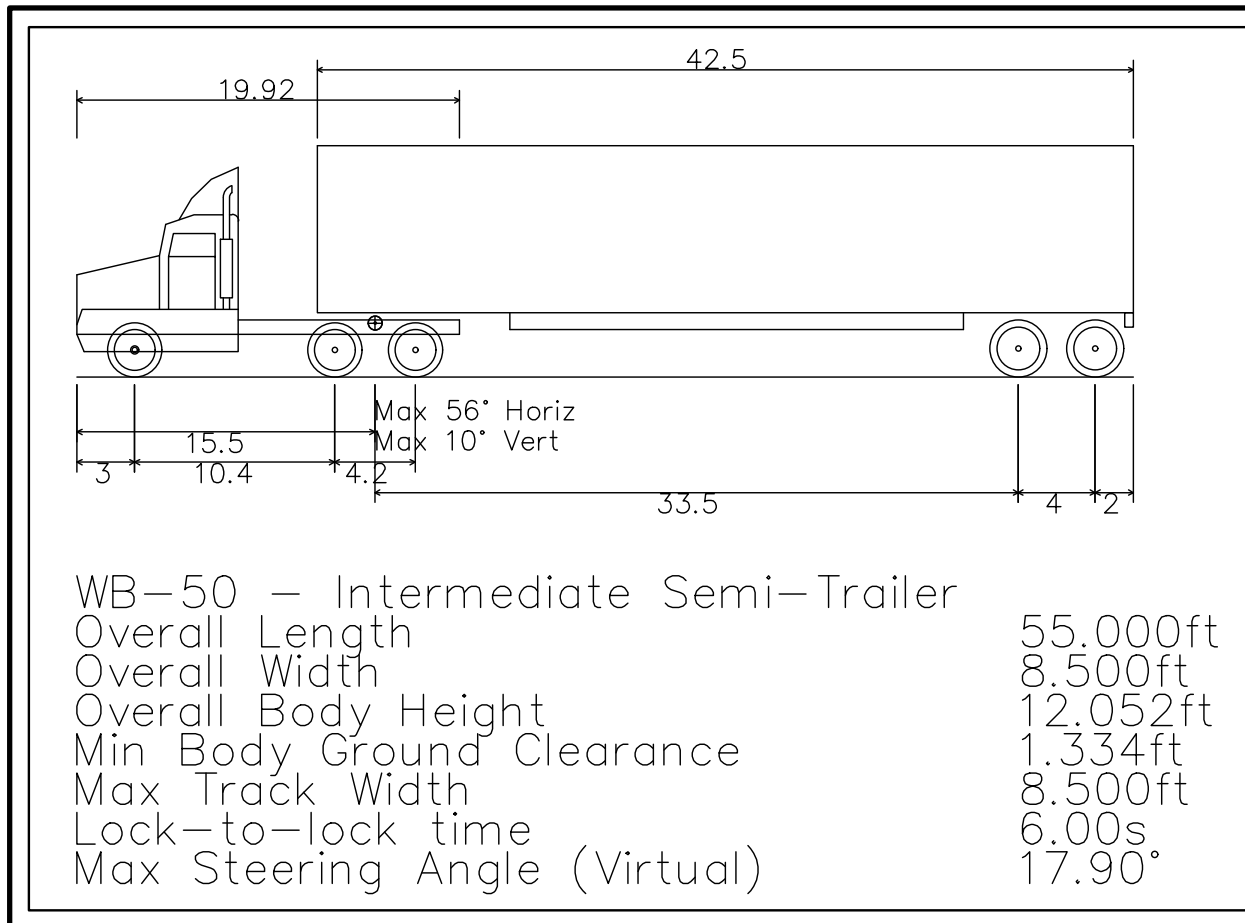
NOT FOR CONSTRUCTION



WB-50 ENTERING FROM SOUTH PATH

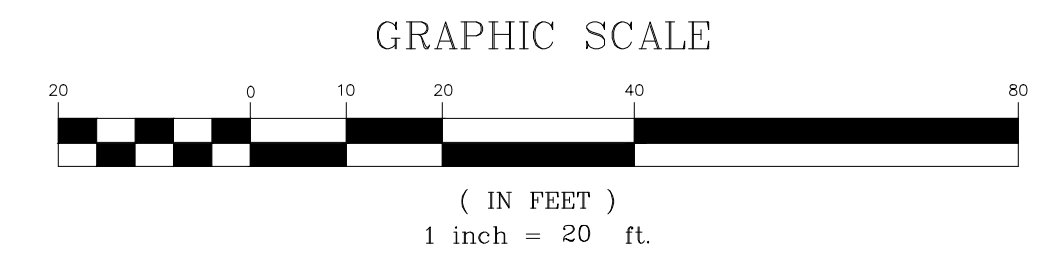


WB-50 ENTERING FROM NORTH PATH



WB-50 - Intermediate Semi-Trailer
 Overall Length 55.000ft
 Overall Width 8.500ft
 Overall Body Height 12.052ft
 Min Body Ground Clearance 1.334ft
 Max Track Width 8.500ft
 Lock-to-lock time 6.00s
 Max Steering Angle (Virtual) 17.90°

WB-50 PROFILE
 SCALE: N.T.S.



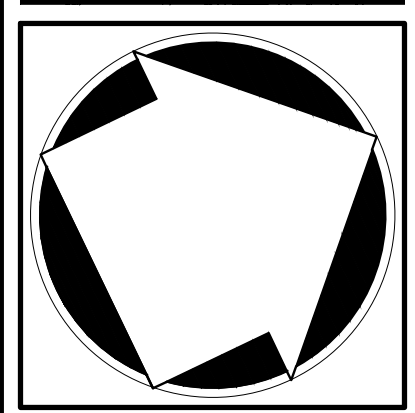
| No. | Revision | Date | By |
|-----|----------|------|----|
| | | | |
| | | | |
| | | | |

APPLICANT/OWNER: CPD ENERGY
 536 MAIN STREET
 NEW PALTZ, NEW YORK 12561

ARCHITECT: CIRO INTERRANTE ARCHITECT, P.C.
 85 MARKET STREET
 POUGHKEEPSIE, NEW YORK 12601

JMC Planning, Engineering, Landscape Architecture & Land Surveying, PLLC
 JMC Site Development Consultants, LLC
 John Meyer Consulting, Inc.
 120 BEDFORD ROAD - ARMONK, NY 10504
 voice 914.273.5225 • fax 914.273.2102

JMC
 SITE DEVELOPMENT CONSULTANTS
 www.jmcpllc.com



TURNING ANALYSIS PLAN
 (WB-50)
 PROPOSED GAS STATION &
 CONVENIENCE STORE
 1417 ROUTE 9W
 TOWN OF MARLBOROUGH, NEW YORK

Drawn: KRM Approved: RR
 Scale: 1" = 20'
 Date: 12/05/2016
 Project No: 15119
 1519-HIGHWAY WB-50 FUEL AT-WB-50-FUEL-01
 Drawing No: TA-4

Previous Editions Obsolete