

# E-WP10 Series

LED High-Output Traditional Style Wall Pack - 9000+ Lumens  
Replaces 250W MH



## The traditional look you love - in LED!

### Efficient

- 107 lumens per watt
- Uses 35% less energy compared to 250W MH

### Durable

- Sturdy die-cast aluminum housing that will last as long as the LEDs inside

### Recommended Use

- Security
- Pathways
- Perimeter lighting

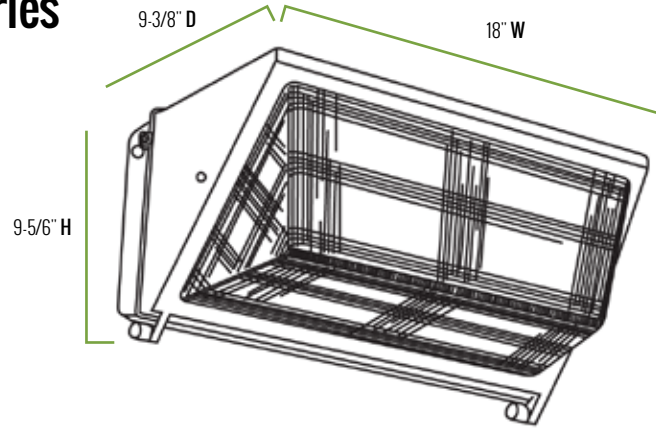
### Input Voltage

- Universal (120V through 277V Operation)

### Certifications



# E-WP10 Series



## Series Overview

DIMENSIONS	PRODUCT WEIGHT	MOUNTING HEIGHT	SPACING
9-3/8" D x 18" W x 9-5/6" H	14.3 lbs.	12 to 20 feet	2 to 3 times the mounting height

## Fixture Specifications

<b>HOUSING</b>	Heavy duty, die-cast aluminum housing with hinged door frame Dark bronze polyester powder-coat finish
<b>LENS ASSEMBLY</b>	Heat and shock-resistant borosilicate glass prismatic lens
<b>MOUNTING</b>	1/2" NPS knockouts on top and sides or rear mounting plate for conduit entry

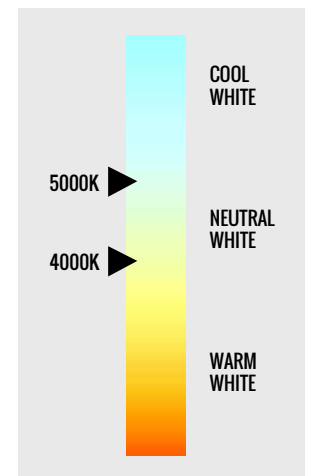
## Electrical Performance

OPERATING MINIMUM	LIFESPAN <small>L<sub>70</sub> AT 25°C (77°F)</small>	POWER FACTOR	TOTAL HARMONIC DISTORTION	DIMMABLE
-40°C (-40°F)	Estimated 172,000 Hours	> 0.9	< 20%	No
<b>INPUT VOLTAGE</b>	<b>120V</b>	<b>208V</b>	<b>240V</b>	<b>277V</b>
<b>Current Draw (Amps)</b>	1.02A	0.59A	0.53A	0.47A

## Warranty & Certifications

WARRANTY	UL LISTED	DLC	ENERGY STAR
5-Year Limited	Wet Locations	Yes	---

## CORRELATED COLOR TEMPERATURE (CCT)



## Output Specifications

SKU	LIGHT OUTPUT	COLOR TEMP <small>(See chart)</small>	POWER CONSUMPTION	COLOR ACCURACY	REPLACES
<b>E-WP10L08CZ</b>	9300 Lumens	Cool White (5000K)	87W	≥ 70 CRI	250W MH
<b>E-WP10L08NZ</b>	9000 Lumens	Neutral White (4000K)	87W	≥ 70 CRI	250W MH

Due to continuous product improvement, information in this document is subject to change.

Revision Date: 05/23/16

1501 96<sup>th</sup> Street, Sturtevant, WI 53177 | Phone (888) 243-9445 | Fax (262) 504-5409 | [www.e-conolight.com](http://www.e-conolight.com)



# E-WP10 Series

## Accessories



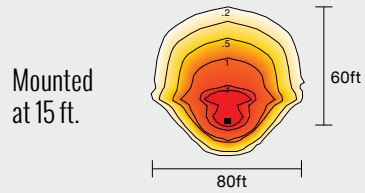
**Photocell - Button, 120V/208V/240V/277V**

**SKU: E-ACP1 (120V)**

**E-ACP2 (208V/240V/277V)**

**USE:** Photocell is field installed.  
Drilling of the back box in the field is required.

## Photometric Diagrams



All published photometric testing performed to IESNA LM-79-08 standards by a NVLAP certified laboratory. Fixture photometry was completed on a single representative fixture.