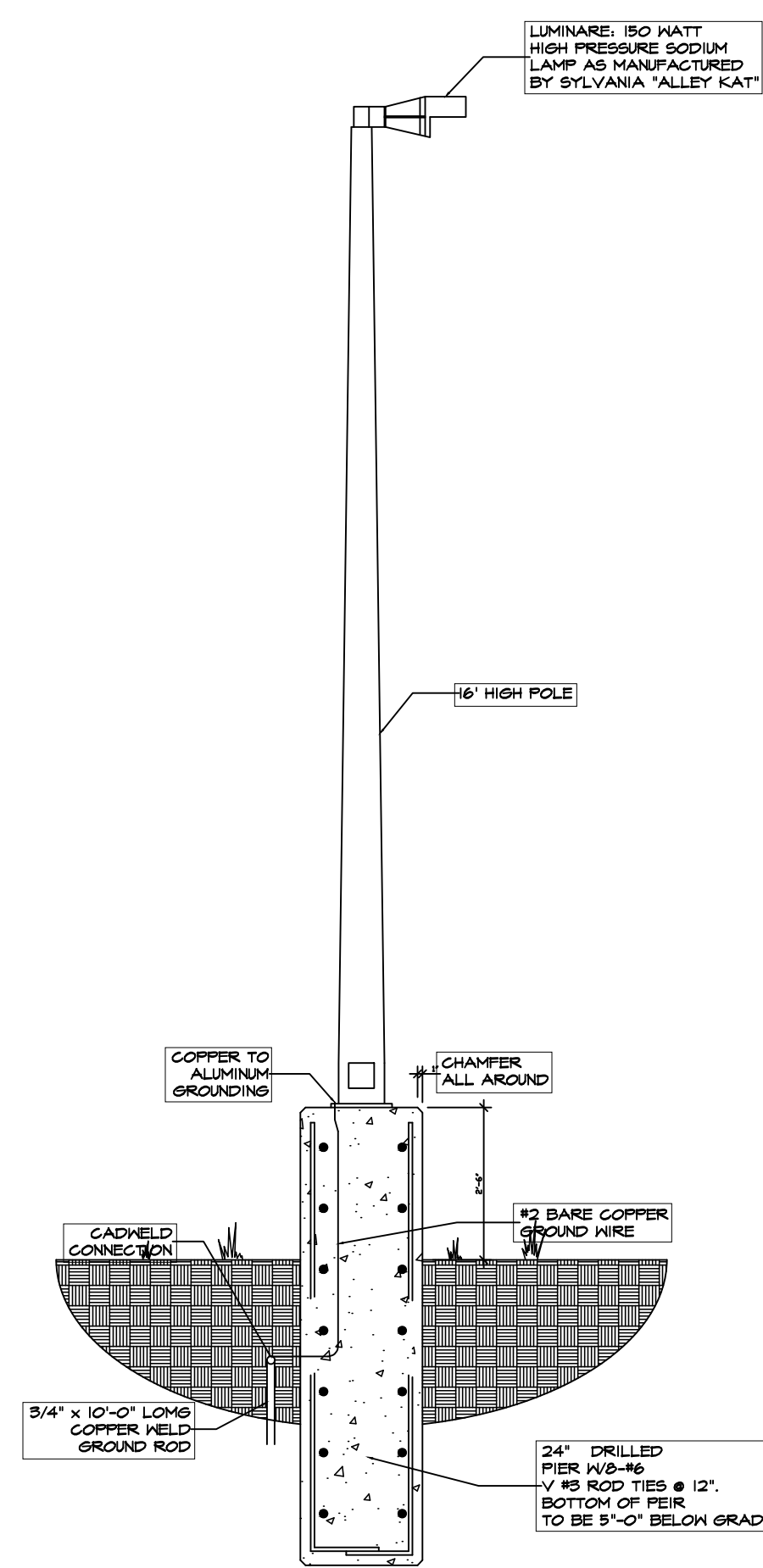
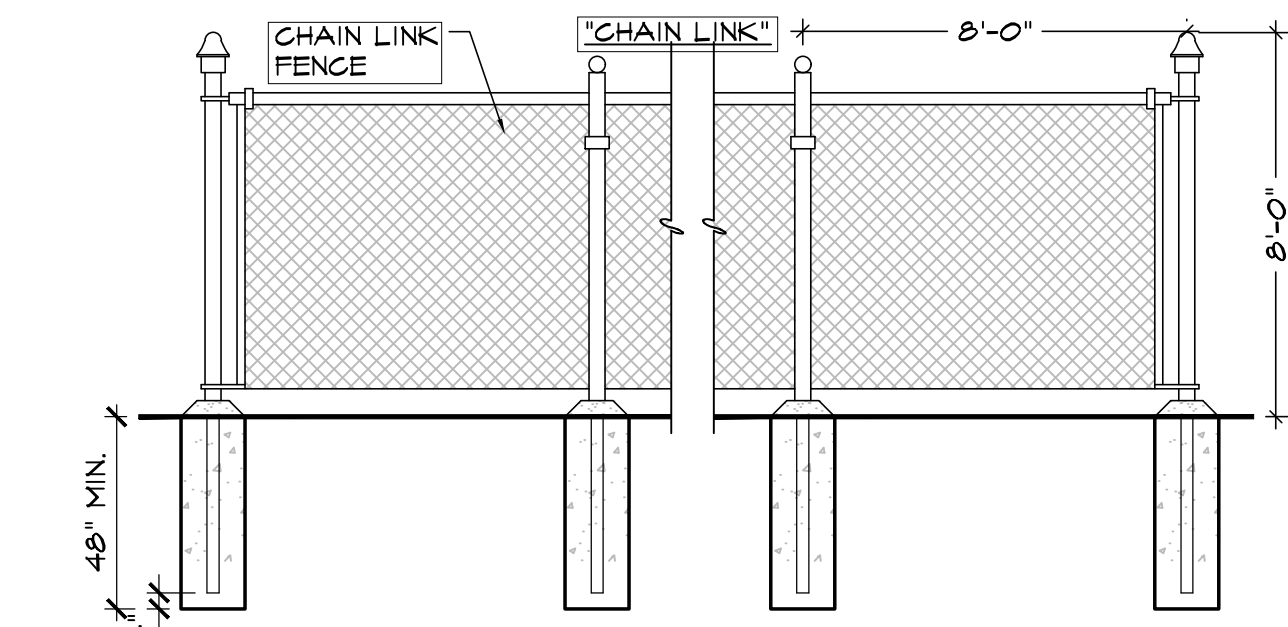


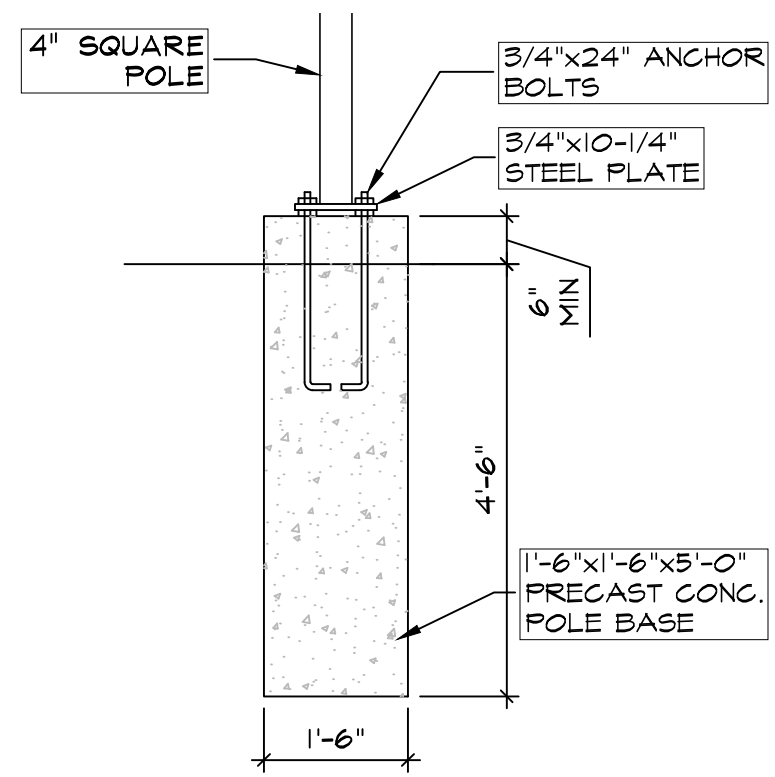
1 PROPOSED NEW SIGN
SP3 SCALE: N.T.S.



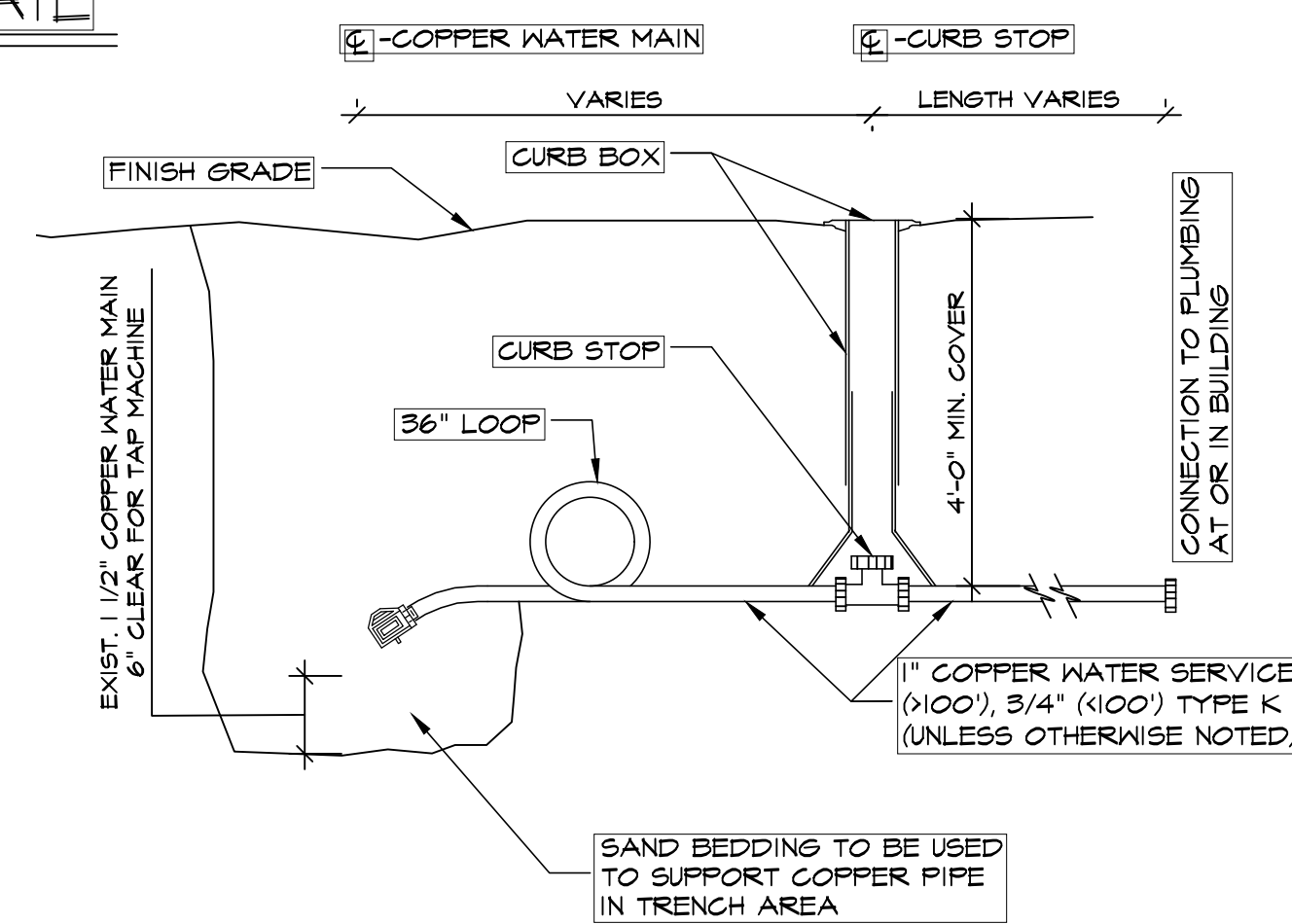
2 LIGHT DETAIL
SP3 SCALE: 3/8" = 1'-0"



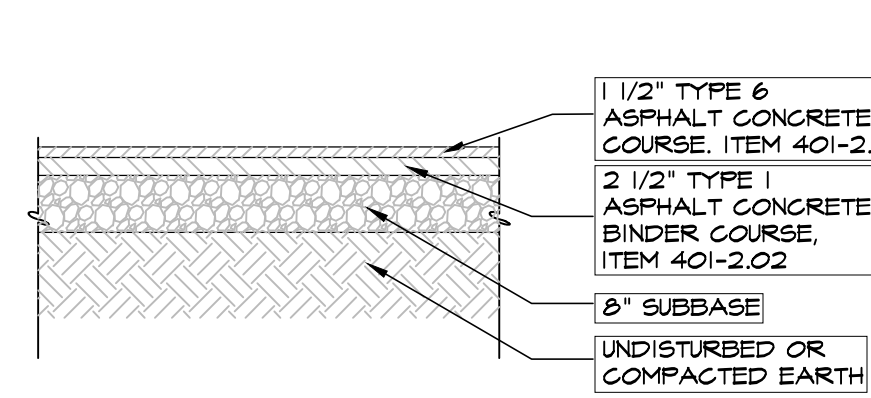
3 DUMPSTER ENCLOSURE DETAIL
SP3 SCALE: 1/4" = 1'-0"



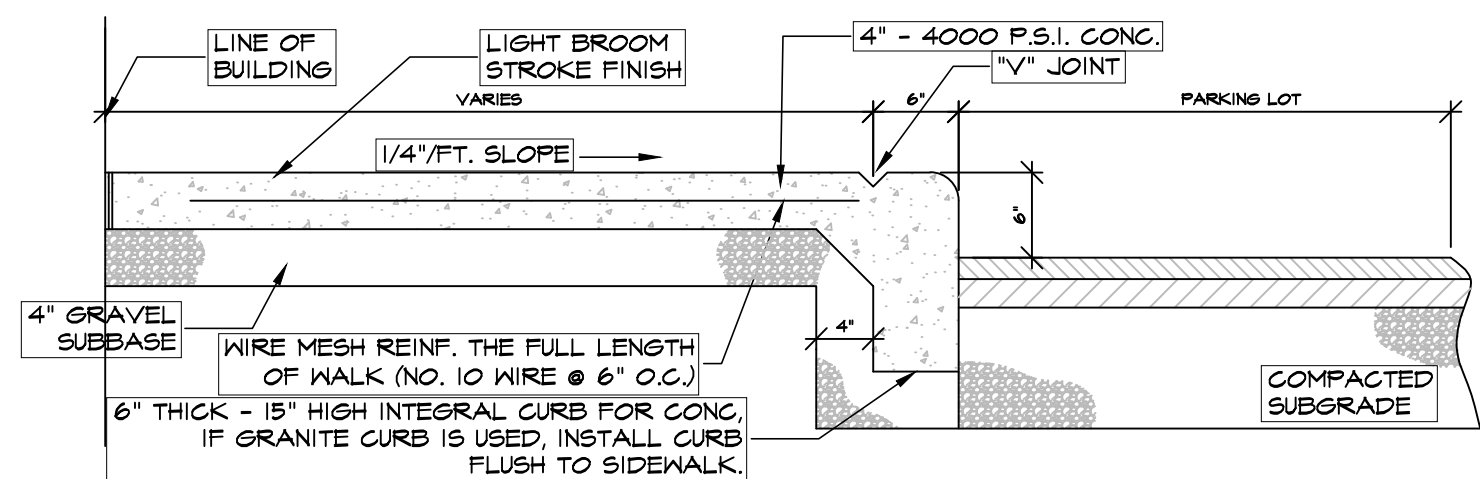
4 PRECAST CONC. POLE BASE
SP3 SCALE: 1/2" = 1'-0"



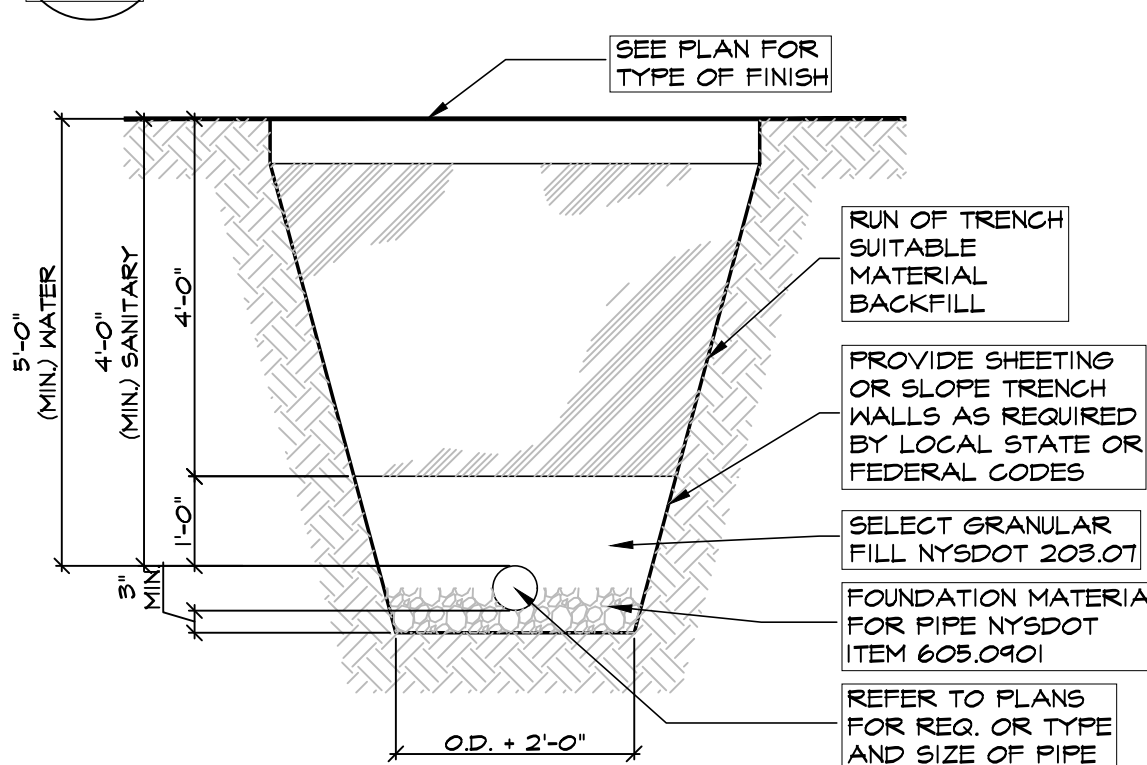
5 SERVICE CONNECTION DETAIL
SP3 NOT TO SCALE



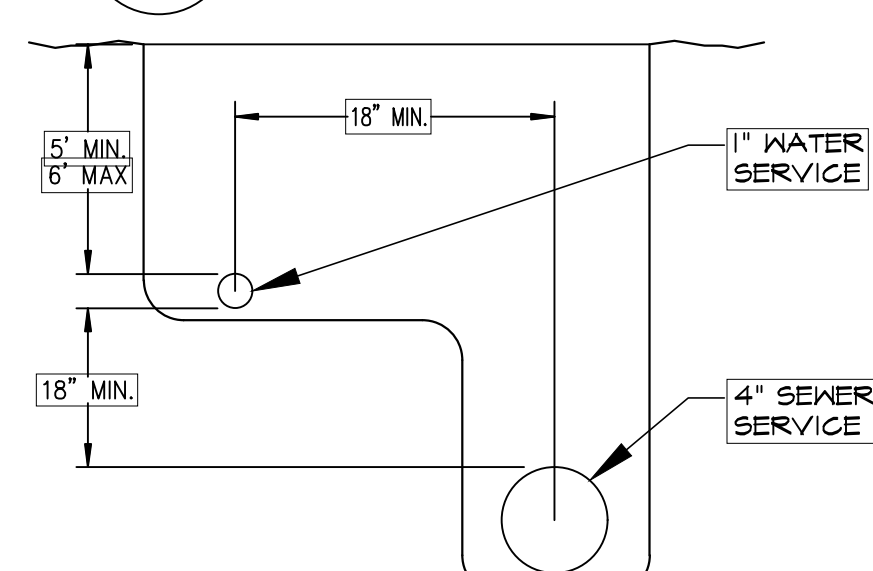
6 PAVEMENT - FULL DEPTH
SP3 NOT TO SCALE



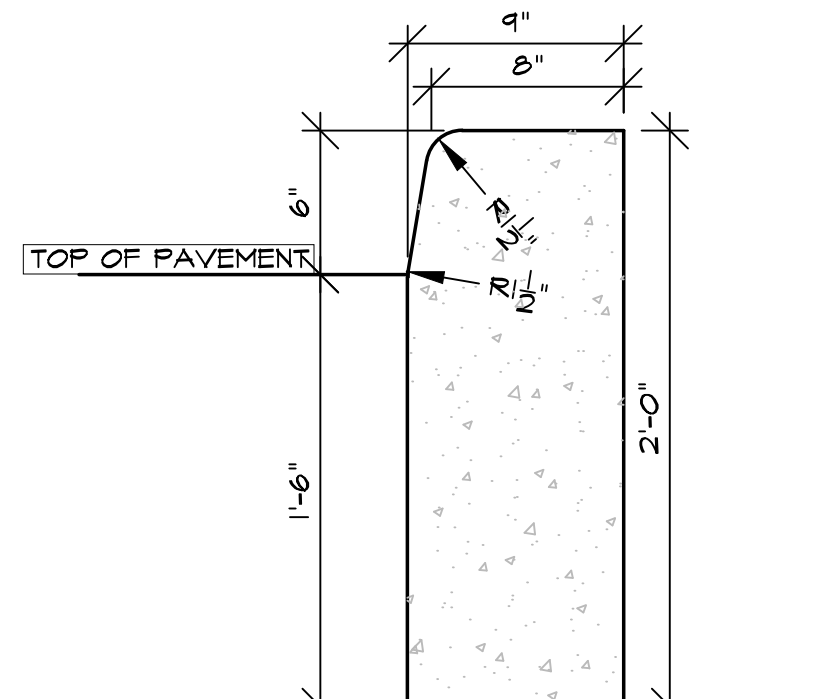
7 INTEGRAL CURB/SIDEWALK DETAIL
SP3 NOT TO SCALE



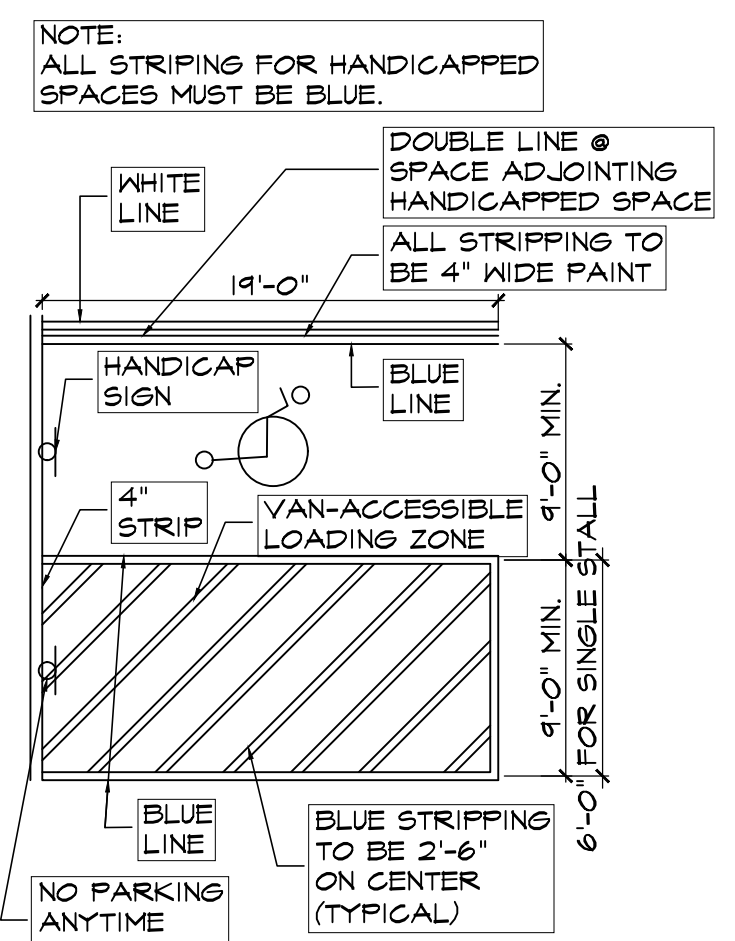
8 TRENCH DETAIL
SP3 NOT TO SCALE



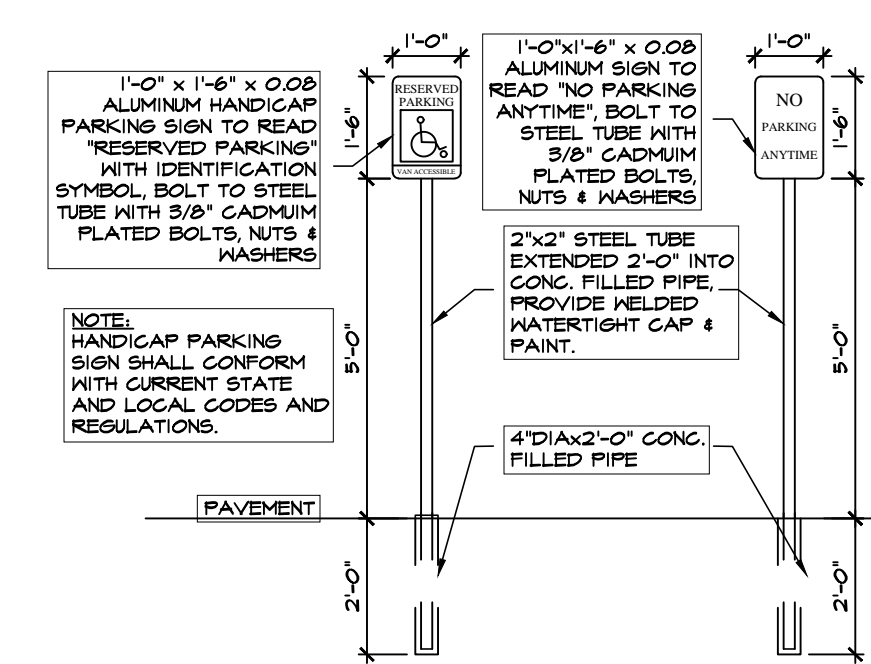
9 SEPARATION TRENCH DETAIL
SP3 SCALE: N.T.S.



10 CONC. CURB DETAIL
SP3 SCALE: 1 1/2" = 1'-0"



11 HANDICAPPED SPACE DETAIL
SP3 NOT TO SCALE



12 HANDICAPPED SIGN DETAIL
SP3 NOT TO SCALE

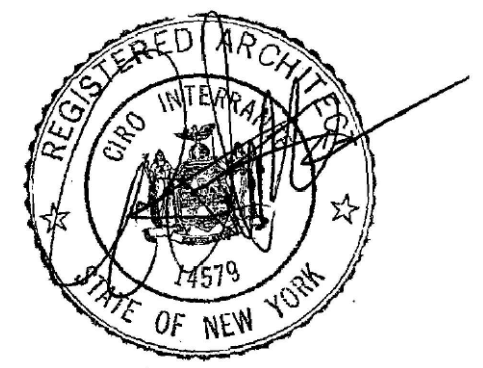
No.	Date	Description
No. 1	2-16-15	GENERAL REVISIONS
No. 2	4-2-15	GENERAL REVISIONS
No. 3	4-7-15	GENERAL REVISIONS
No. 4	5-26-15	QUEUE
No. 5	6-15-15	PER MHE COMMENTS
No. 6	10-24-15	PER CPD COMMENTS
No. 7	10-31-15	COORDINATION
No. 8	1-8-16	DATA TABLE
No. 9	4-22-16	COORDINATION
No. 10	4-24-16	GENERAL REVISIONS
No. 11	4-24-16	GENERAL REVISIONS



PROPOSED SITE PLAN FOR:
CHESTNUT PART OF MARLBOROUGH
 1417 ROUTE 9W MARLBOROUGH, NY
CIRO INTERRANTE ARCHITECT, P.C.
 85 MARKET STREET Poughkeepsie, New York 12601
 (845) 473-1512 Office (845) 473-7525 Fax

Project No: **03-05**
 Drawn By: **BM/MW/GG**
 Issued Date: **5 MARCH 2015**

SHEET NO. **SP3**
SITE PLAN



\\BOOKWORLD\Public\CIA-Projects\Folder\CIA-Projects\Folder\Chestnut Marlboro\10-5-16 for PB\0305 Chestnut Marlborough sites 10-5-16.dwg, 10/5/2016 4:29:59 PM, DWG To PDF.pc3